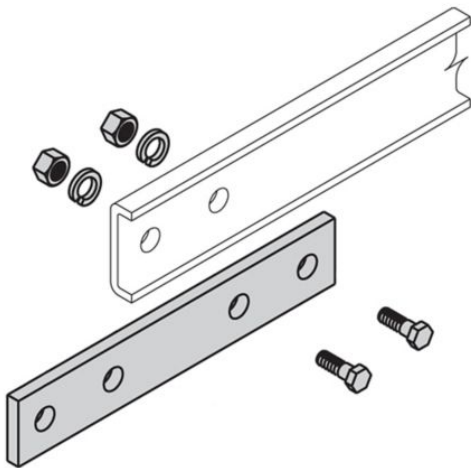


Eaton SB202KYZ

Catalog Number: SB202KYZ

Eaton auxiliary support channel, Steel, Dual C-channel support configuration, Yellow zinc finish, 2" X 9/16" Support channel splice

General specifications



Product Name	Catalog Number
Eaton auxiliary support channel	SB202KYZ
UPC	Product Length/Depth
799038015772	8.5 in
Product Height	Product Width
1.5 in	1.5 in
Product Weight	Certifications
1.7 lb	Not Applicable

Product specifications

Model

2" X 9/16" support channel splice

Material

Steel

Finish

Yellow zinc chromate

Resources

Catalogs

[auxillary supports](#)

Specifications and datasheets

[Eaton Specification Sheet - SB202KYZ](#)



Eaton Corporation plc
Eaton House
30 Pembroke Road
Dublin 4, Ireland
Eaton.com
© 2023 Eaton. All Rights Reserved.

Eaton is a registered trademark.

All other trademarks are property of their respective owners.



Eaton.com/socialmedia